

## **MICROS**

The little helpers  
in everyday life.





**Hotel Ramada, Berlin / DE**  
Interior design: PBN Planungsbüro  
Niehaus, Hildesheim / DE  
Lighting solution: PANOS INFINITY LED  
downlights, MICROS LED downlights



542

# Maximum functionality from minimum size

## MICROS with LED technology



MICROS Q80 LED  
white

### MICROS Q80 LED

**Ceiling cut-out**  
□ 80 mm

**Power consumption**  
6 x 2.3 W LEDs

**Luminous flux, luminaire efficiency**  
> 670 lumens, > 45 lumens/W

**Output level**  
50 W low-voltage halogen lamps

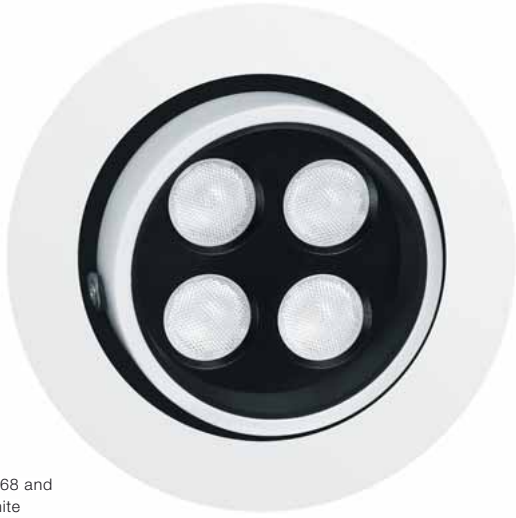
**Colour temperatures**  
Warm: 3000 K  
Intermediate: 4000 K

**Radiation angles**  
Spot 15°  
Wideflood 35°

**Lighting head**  
Fixed



MICROS Q80 LED  
white



MICROS-C D68 and D95 LED | white

## MICROS-C D68 LED

**Ceiling cut-out**  
ø 68 mm

**Power consumption**  
4 x 2.3 W LEDs

**Luminous flux, luminaire efficiency**  
> 420 lumens, > 45 lumens/W

**Output level**  
35 W low-voltage halogen lamps

**Colour temperatures**  
Warm: 3000 K  
Intermediate: 4000 K

**Radiation angles**  
Spot 15°  
Widelflood 35°

**Lighting head**  
Gimbal-mounted ± 12°

## MICROS-C D95 LED

**Ceiling cut-out**  
ø 95 mm

**Power consumption**  
6 x 2.3 W LEDs

**Luminous flux, luminaire efficiency**  
> 670 lumens, > 45 lumens/W

**Output level**  
50 W low-voltage halogen lamps

**Colour temperatures**  
Warm: 3000 K  
Intermediate: 4000 K

**Radiation angles**  
Spot 15°  
Widelflood 35°

**Lighting head**  
Gimbal-mounted ± 20°



MICROS-C D68 and D95 LED white



MICROS-S D105 LED  
white

## MICROS-S D105 LED

**Ceiling cut-out**  
ø 105 mm

**Power consumption**  
6 x 2.3 W LEDs

**Luminous flux and luminaire efficiency**  
> 670 lumens, > 45 lumens/W

**Output level**  
50 W low-voltage halogen lamps

**Colour temperatures**  
Warm: 3000 K  
Intermediate: 4000 K

**Radiation angles**  
Spot 15°  
Wideflood 35°

**Lighting head**  
Pivots through 45°



MICROS-S D105 LED  
white

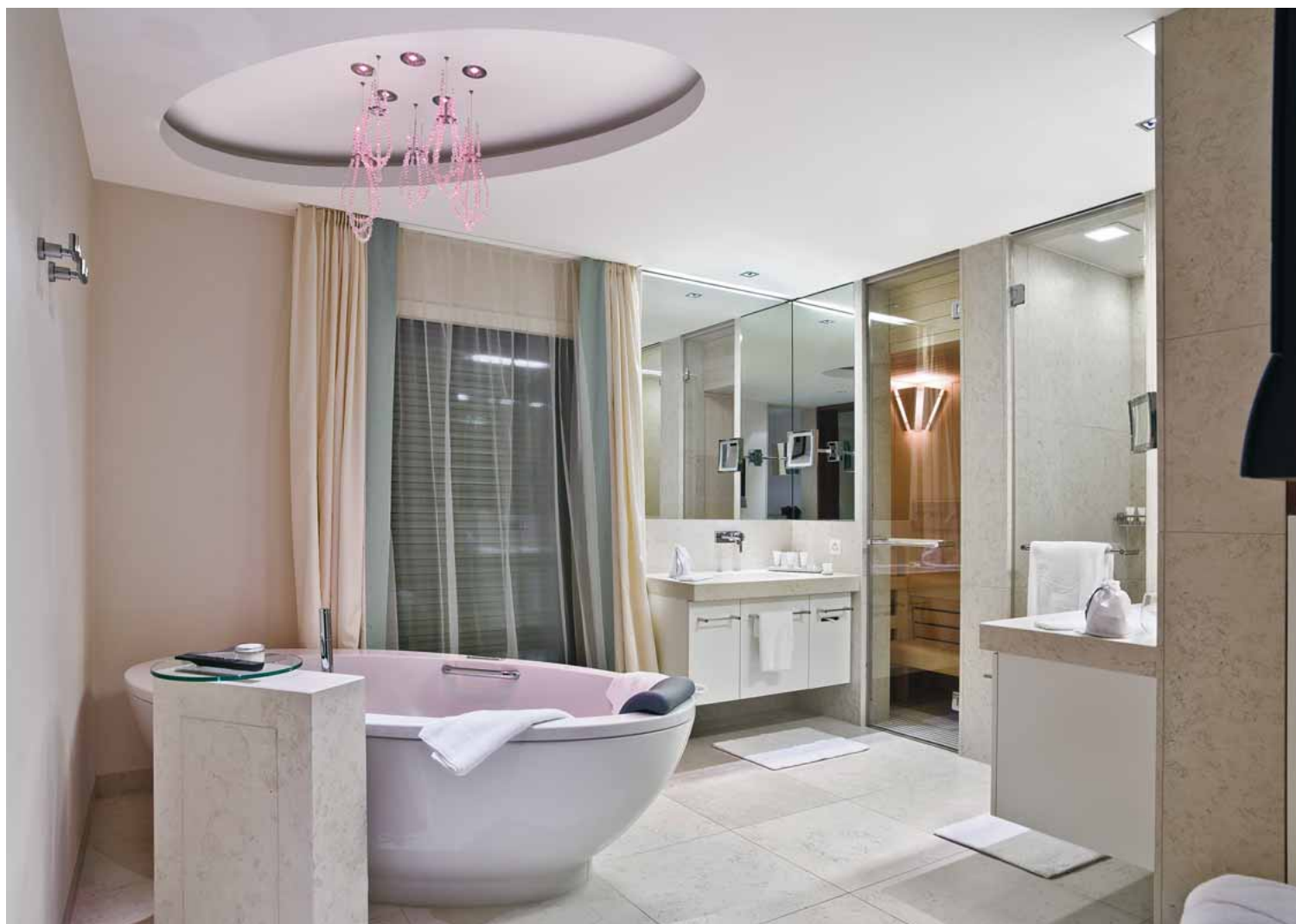
**Efficient** These small MICROS LED downlights represent an efficient alternative for a wide range of functional and decorative applications. With a luminaire luminous flux of up to more than 670 lumens, they replace 35 W and 50 W low-voltage halogen lamps. Switchable or dimmable control gear is connected by a plug and socket system. The lamps still produce 70 percent of their rated luminous flux after 50,000 hours, which means that these LED downlights last 25 times longer than QR-CBC lamps and save on lamp replacements.

**Flexible** The solution for a wide variety of lighting tasks: available colour temperatures are 3000 K and 4000 K, with spot (15°) and wideflood (35°) radiation angles and white and brushed aluminium finishes. The fixed and gimbal-mounted versions are complemented by a compact swivelling version in white to round off the range.

**IP44** For use in areas requiring higher protection, MICROS LED luminaires can be fitted with an extra protective cover in D68, D95 and Q80 dimensions. Simply clicking the cover on the luminaire in a closed ceiling produces IP44 protection.



MICROS-C D95  
with IP44 cover



## Small and practical

### MICROS with low-voltage halogen lamps

The MICROS downlight range for LV halogen lamps features a variety of functions and a wide assortment of cover rings and decorative attachments. The installation kit available as an accessory also allows to use the downlight in ceilings with normal flammability. Finish in white, chrome-coloured or brushed aluminium.



MICROS D70 and  
S D80 1 x 50 W



MICROS D70/D95/Q80

MICROS-S D68/D80/Q80

#### Ceiling cut-out

D70: 70 mm dia.  
D95: 95 mm dia.  
Q80: □ 80 mm

#### Lamps

1 x max. 50 W QR-CBC 51

#### Lighting head

Fixed

#### Ceiling cut-out

D68: 68 mm dia.  
D80: 80 mm dia.  
Q80: 80 mm dia.

#### Lamps

1 x max. 50 W QR-CBC 51

#### Lighting head

Swivelling



MICROS Q80  
Brushed aluminium





**Quick to fit and easy to change** MICROS low-voltage halogen lamps are outstandingly quick and easy to fit or replace. Their practical twist-and-lock ring replaces the tiresome spring clips, making it easier to install the lamp. They use an additional guide and support to combine the luminaire and light source into a compact unit that just has to be screwed in. For installation in the ceiling, no tools are required either. MICROS downlights are fitted via two mounting springs, in the tried and tested manner. For recessed mounting in concrete ceilings, appropriate casting surrounds are available to match the small design sizes.

Twist-and-lock mechanism instead of spring clips: low-voltage halogen lamps and the cover ring are fixed with a rotating movement, without any tools.



## MICROS

[...] Shared properties MICROS LED

- Housing made of die-cast aluminium
- Service life: 50,000 h at 70 % luminous flux
- Colour temperature: 3000 K (LED830: warm white) or 4000 K (LED840: neutral white)
- Colour rendering index: Ra 80
- Luminaire efficiency: > 45 lm/W
- Includes 0.62 m power lead (halogen-free) with connecting socket for multiplug system
- Two fixing clips provided for tool-free installation in ceilings of thickness 1–25 mm
- Please order control gear separately (700 mA)
- Please also order one additional power lead (60 700 226) for each control gear unit
- Luminaire can also be operated using 350 mA or 500 mA converters, which result in a lower luminaire luminous flux and higher luminaire efficiency
- Please go to the main product name in the ONLINE catalog to find the latest power consumption figures based on continuous improvements in efficiency

### MICROS-C D68 LED



- [...]
- LED recessed luminaire as replacement for 35 W low-voltage halogen lamp
- Spotlight mounting plate is gimbal-mounted for tilt of  $\pm 12^\circ$
- Luminaire luminous flux: > 420 lm
- IP44 degree of protection achieved when recessed in closed ceilings using optional accessory (please order separately)

#### LED ceiling-recessed luminaire 700 mA, spot (15°)

	RD/RØ	kg	Order no.
4/2.3 W LED830, brushed aluminium trim	100/68	0.2	60 813 906
4/2.3 W LED830, white trim	100/68	0.2	60 813 902
4/2.3 W LED840, brushed aluminium trim	100/68	0.2	60 813 908
4/2.3 W LED840, white trim	100/68	0.2	60 813 904

#### LED ceiling-recessed luminaire 700 mA, wideflood (35°)

4/2.3 W LED830, brushed aluminium trim	100/68	0.2	60 813 907
4/2.3 W LED830, white trim	100/68	0.2	60 813 903
4/2.3 W LED840, brushed aluminium trim	100/68	0.2	60 813 909
4/2.3 W LED840, white trim	100/68	0.2	60 813 905

#### Accessory

Cover for IP44 degree of protection	60 800 754
Synchronisation lead (2 m) for dimmable control gear	60 010 018

#### Multiplug connector

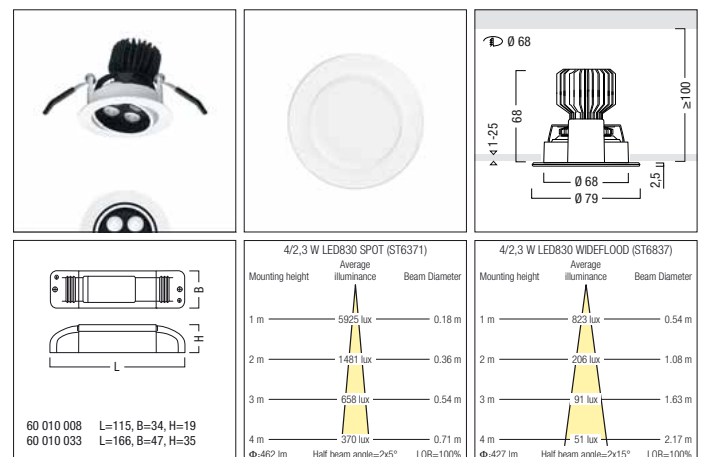
3-socket Multiplug power distributor, series connection (700 mA)	60 700 223
Power lead (1 m) with Multiplug plugs/ferrules (700 mA)	60 700 226
Extension lead (2 m) with Multiplug plug/socket (700 mA)	60 700 225

#### LED power packs

LED control gear 12 W 700 mA, 100–240 V	60 010 008
LED control gear 32 W UNI 350–700 mA, 230–240 V AC	60 010 033

60 010 033: switched, optionally also dimmable via leading or trailing edge control or switchDIM.

To synchronize multiple control gear units please order lead separately (60 010 018).



MICROS-C D95 LED



- [...]
  - LED recessed luminaire can be used in place of 50 W low-voltage halogen lamp
  - Spotlight mounting plate is gimbal-mounted for tilt of  $\pm 20^\circ$
  - Luminaire luminous flux: > 670 lm
  - IP44 degree of protection achieved when recessed in closed ceilings using optional accessory (please order separately)

RD/RØ kg Order no.

LED ceiling-recessed luminaire 700 mA, spot (15°)

6/2.3 W LED830, brushed aluminium trim	100/95	0.3	60 813 914
6/2.3 W LED830, white trim	100/95	0.3	60 813 910
6/2.3 W LED840, brushed aluminium trim	100/95	0.3	60 813 916
6/2.3 W LED840, white trim	100/95	0.3	60 813 912

LED ceiling-recessed luminaire 700 mA, wideflood (35°)

6/2.3 W LED830, brushed aluminium trim	100/95	0.3	60 813 915
6/2.3 W LED830, white trim	100/95	0.3	60 813 911
6/2.3 W LED840, brushed aluminium trim	100/95	0.3	60 813 917
6/2.3 W LED840, white trim	100/95	0.3	60 813 913

Accessory

Cover for IP44 degree of protection			60 800 755
Synchronisation lead (2 m) for dimmable control gear			60 010 018

Multiplug connector

3-socket Multiplug power distributor, series connection (700 mA)			60 700 223
Power lead (1 m) with Multiplug plugs/ferrules (700 mA)			60 700 226
Extension lead (2 m) with Multiplug plug/socket (700 mA)			60 700 225

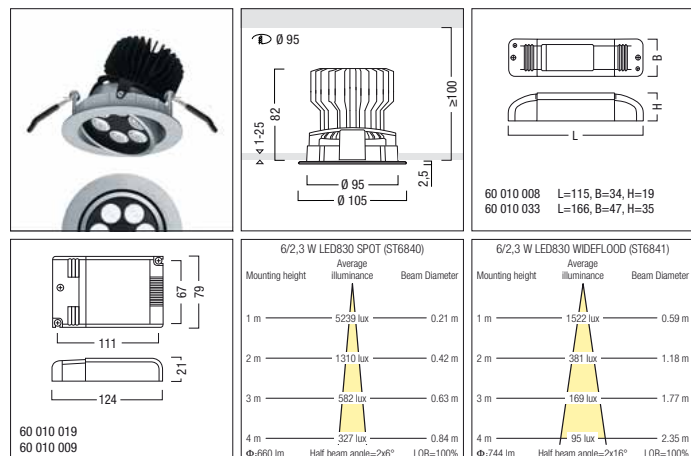
LED power packs

LED control gear 32 W UNI 350–700 mA, 230–240 V AC		0.2	60 010 033
LED control gear 50 W UNI (350–1400 mA) 1–10 V, 110–240 V AC	100/95	0.2	60 010 019
LED control gear 50 W UNI (350–1400 mA) Dali, 220–240 V AC		0.2	60 010 009

60 010 019: switched, optionally also dimmable via 1–10 V or switchDIM.

60 010 033: switched, optionally also dimmable via leading or trailing edge control or switchDIM.

To synchronize multiple control gear units please order lead separately (60 010 018).



MICROS

MICROS Q80 LED



- [...]
  - LED recessed luminaire can be used in place of 50 W low-voltage halogen lamp
  - Luminaire luminous flux: > 670 lm
  - IP44 degree of protection achieved when recessed in closed ceilings using optional accessory (please order separately)

LED ceiling-recessed luminaire 700 mA, spot (15°)

	RL/RW/RD	kg	Order no.
6/2.3 W LED830, brushed aluminium trim	80/80/100	0.3	60 813 922
6/2.3 W LED830, white trim	80/80/100	0.3	60 813 918
6/2.3 W LED840, brushed aluminium trim	80/80/100	0.3	60 813 924
6/2.3 W LED840, white trim	80/80/100	0.3	60 813 920

LED ceiling-recessed luminaire 700 mA, wideflood (35°)

6/2.3 W LED830, brushed aluminium trim	80/80/100	0.3	60 813 923
6/2.3 W LED830, white trim	80/80/100	0.3	60 813 919
6/2.3 W LED840, brushed aluminium trim	80/80/100	0.3	60 813 925
6/2.3 W LED840, white trim	80/80/100	0.3	60 813 921

Accessory

Cover for IP44 degree of protection	60 800 756
Synchronisation lead (2 m) for dimmable control gear	60 010 018

Multiplug connector

3-socket Multiplug power distributor, series connection (700 mA)	60 700 223
Power lead (1 m) with Multiplug plugs/ferrules (700 mA)	60 700 226
Extension lead (2 m) with Multiplug plug/socket (700 mA)	60 700 225

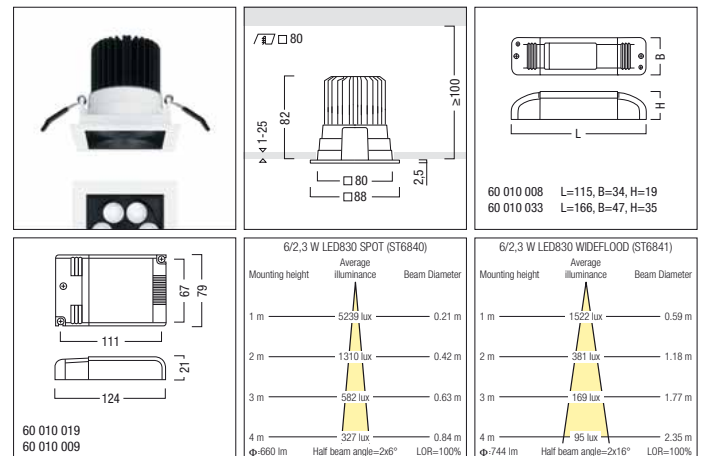
LED power packs

LED control gear 32 W UNI 350–700 mA, 230–240 V AC	0.2	60 010 033
LED control gear 50 W UNI (350–1400 mA) 1–10 V, 110–240 V AC	0.2	60 010 019
LED control gear 50 W UNI (350–1400 mA) Dali, 220–240 V AC	0.2	60 010 009

60 010 019: switched, optionally also dimmable via 1–10 V or switchDIM.

60 010 033: switched, optionally also dimmable via leading or trailing edge control or switchDIM.

To synchronize multiple control gear units please order lead separately (60 010 018).



MICROS-S D105 LED



- [...]
  - LED recessed luminaire can be used in place of 50 W low-voltage halogen lamp
  - Tilting housing rotates through 355° and swivels out through 45°
  - Luminaire luminous flux: > 670 lm

	RD/R0	Order no.
LED ceiling-recessed luminaire 700 mA, spot (15°)		
6/2.3 W LED830, white trim	100/105	60 813 894
6/2.3 W LED840, white trim	100/105	60 813 896

	RD/R0	Order no.
LED ceiling-recessed luminaire 700 mA, wideflood (35°)		
6/2.3 W LED830, white trim	100/105	60 813 895
6/2.3 W LED840, white trim	100/105	60 813 897

Accessory		
Synchronisation lead (2 m) for dimmable control gear		60 010 018

Multiplug connector		
3-socket Multiplug power distributor, series connection (700 mA)		60 700 223
Power lead (1 m) with Multiplug plugs/ferrules (700 mA)		60 700 226
Extension lead (2 m) with Multiplug plug/socket (700 mA)		60 700 225

LED power packs		
LED control gear 32 W UNI 350–700 mA, 230–240 V AC		60 010 033
LED control gear 50 W UNI (350–1400 mA) 1–10 V, 110–240 V AC		60 010 019
LED control gear 50 W UNI (350–1400 mA) Dali, 220–240 V AC		60 010 009

60 010 019: switched, optionally also dimmable via 1–10 V or switchDIM.  
 60 010 033: switched, optionally also dimmable via leading or trailing edge control or switchDIM.

To synchronize multiple control gear units please order lead separately (60 010 018).



		<p>60 010 008 L=115, B=34, H=19                  60 010 033 L=166, B=47, H=35</p>																														
<p>60 010 019                  60 010 009</p>	<p>6/2.3 W LED830 SPOT (ST6840)</p> <table border="1"> <thead> <tr> <th>Mounting height</th> <th>Average illuminance</th> <th>Beam Diameter</th> </tr> </thead> <tbody> <tr> <td>1 m</td> <td>5239 lux</td> <td>0.21 m</td> </tr> <tr> <td>2 m</td> <td>1310 lux</td> <td>0.42 m</td> </tr> <tr> <td>3 m</td> <td>582 lux</td> <td>0.63 m</td> </tr> <tr> <td>4 m</td> <td>327 lux</td> <td>0.84 m</td> </tr> </tbody> </table> <p>Φ-660 lm Half beam angle=2x6° LOR=100%</p>	Mounting height	Average illuminance	Beam Diameter	1 m	5239 lux	0.21 m	2 m	1310 lux	0.42 m	3 m	582 lux	0.63 m	4 m	327 lux	0.84 m	<p>6/2.3 W LED830 WIDEFLOOD (ST6841)</p> <table border="1"> <thead> <tr> <th>Mounting height</th> <th>Average illuminance</th> <th>Beam Diameter</th> </tr> </thead> <tbody> <tr> <td>1 m</td> <td>1522 lux</td> <td>0.59 m</td> </tr> <tr> <td>2 m</td> <td>381 lux</td> <td>1.18 m</td> </tr> <tr> <td>3 m</td> <td>169 lux</td> <td>1.77 m</td> </tr> <tr> <td>4 m</td> <td>95 lux</td> <td>2.35 m</td> </tr> </tbody> </table> <p>Φ-744 lm Half beam angle=2x16° LOR=100%</p>	Mounting height	Average illuminance	Beam Diameter	1 m	1522 lux	0.59 m	2 m	381 lux	1.18 m	3 m	169 lux	1.77 m	4 m	95 lux	2.35 m
Mounting height	Average illuminance	Beam Diameter																														
1 m	5239 lux	0.21 m																														
2 m	1310 lux	0.42 m																														
3 m	582 lux	0.63 m																														
4 m	327 lux	0.84 m																														
Mounting height	Average illuminance	Beam Diameter																														
1 m	1522 lux	0.59 m																														
2 m	381 lux	1.18 m																														
3 m	169 lux	1.77 m																														
4 m	95 lux	2.35 m																														

# MICROS

## MICROS D70

RD/R0 Order no.



- Housing made of die-cast aluminium
- Bayonet-ring fitting for quick lamp replacement
- With strain relief for cable
- Rated lamp voltage: 12 V
- The customer needs to provide a 2-pole terminal for the electrical supply to these luminaires with the following properties: 12 V, 6 A, for ferrule diameter  $\geq 1.5$  mm
- Tool-free installation using two fixing clips for ceilings of thickness 1–15 mm
- IP40 degree of protection achieved when installed in closed ceilings
- Luminaires can also be fitted with 1/50 W QR-CBC IRC 51 lamp
- The additional installation kit allows installation in normally flammable ceilings of luminaires fitted with lamp of maximum rating 1/35 W (including IRC). Luminaire must not be covered with thermal insulation.

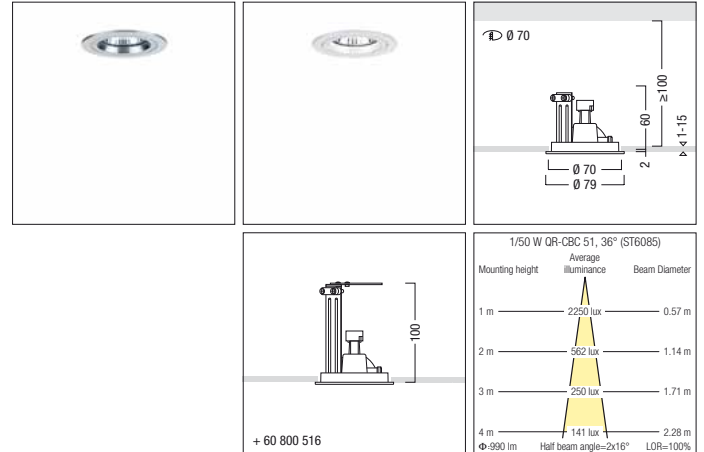
### Recessed ceiling luminaires for low voltage lamps

1/50 W QR-CBC 51, aluminium trim in brushed finish	100/70	60 812 136
1/50 W QR-CBC 51, chrome-look trim	100/70	60 812 134
1/50 W QR-CBC 51, white trim	100/70	60 812 133

### Accessory

Installation kit for normally flammable ceilings (max. 1/35 W QR-CBC 51)	60 800 516
--	------------

Please order transformer separately.



## MICROS decorative glass cylinder



- Glass decorative attachment
- Bayonet catch for tool-free installation
- Please note: not suitable for MICROS LED

### Decorative glass cylinder for MICROS D70

frosted	60 800 519
---------	------------

Order no.

MICROS-S D68



- Luminaire can pivot through 20°
- Housing made of die-cast aluminium
- Screw-on ring for easy relamping
- Flat, circular decorative ceiling ring
- With strain relief for cable
- Rated lamp voltage: 12 V
- The customer needs to provide a 2-pole terminal for the electrical supply to these luminaires with the following properties: 12 V, 6 A, for ferrule diameter ≥1.5 mm
- Tool-free installation using two fixing clips for ceilings of thickness 1–15 mm
- Luminaires can also be fitted with 1/50 W QR-CBC IRC 51 lamp
- The additional installation kit allows installation in normally flammable ceilings of luminaires fitted with lamp of maximum rating 1/35 W (including IRC). Luminaire must not be covered with thermal insulation.

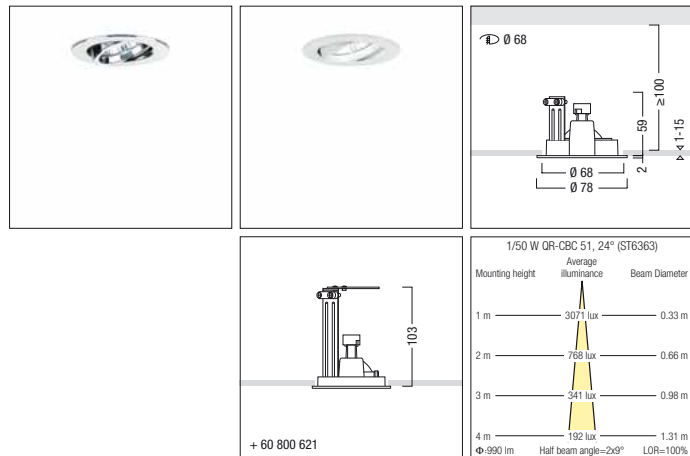
Recessed ceiling luminaires for low voltage lamps

1/50 W QR-CBC 51, aluminium trim in brushed finish	100/68	0.1	60 812 783
1/50 W QR-CBC 51, chrome-look trim	100/68	0.1	60 812 782
1/50 W QR-CBC 51, white trim	100/68	0.1	60 812 781

Accessory

Installation kit for normally flammable ceilings (max. 1/35 W QR-CBC 51)	60 800 621
--	------------

Please order transformer separately.



MICROS-S D80



- Luminaire can pivot through 20°
- Housing made of die-cast aluminium
- Bayonet-ring fitting for quick lamp replacement
- Flat, circular decorative ceiling ring
- With strain relief for cable
- Rated lamp voltage: 12 V
- The customer needs to provide a 2-pole terminal for the electrical supply to these luminaires with the following properties: 12 V, 6 A, for ferrule diameter ≥ 1.5 mm
- Tool-free installation using two fixing clips for ceilings of thickness 1–30 mm
- Luminaires can also be fitted with 1/50 W QR-CBC IRC 51 lamp
- The additional installation kit allows installation in normally flammable ceilings of luminaires fitted with lamp of maximum rating 1/35 W (including IRC). Luminaire must not be covered with thermal insulation.

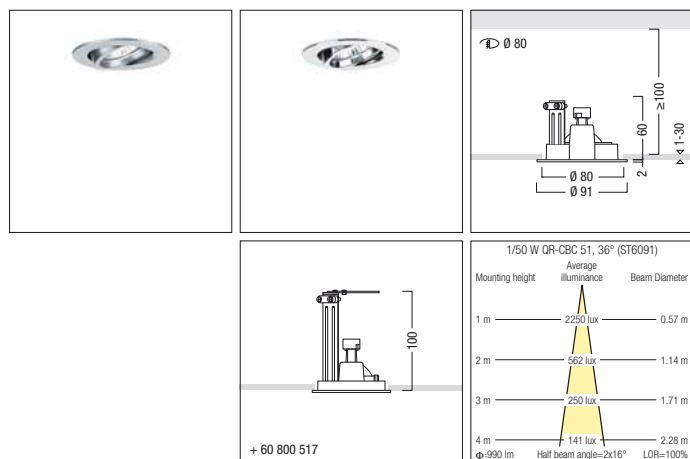
Recessed ceiling luminaires for low voltage lamps

1/50 W QR-CBC 51, aluminium trim in brushed finish	100/80	0.1	60 812 140
1/50 W QR-CBC 51, chrome-look trim	100/80	0.1	60 812 138
1/50 W QR-CBC 51, white trim	100/80	0.1	60 812 137

Accessory

Installation kit for normally flammable ceilings (max. 1/35 W QR-CBC 51)	60 800 517
--	------------

Please order transformer separately.



**MICROS**

**MICROS-S Q80**



- Luminaire can pivot through 20°
- Housing made of die-cast aluminium
- Bayonet-ring fitting for quick lamp replacement
- Flat, square decorative ceiling surround
- With strain relief for cable
- Rated lamp voltage: 12 V
- The customer needs to provide a 2-pole terminal for the electrical supply to these luminaires with the following properties: 12 V, 6 A, for ferrule diameter  $\geq 1.5$  mm
- Circular ceiling cut-out
- Tool-free installation using two fixing clips for ceilings of thickness 1–30 mm
- Luminaires can also be fitted with 1/50 W QR-CBC IRC 51 lamp
- The additional installation kit allows installation in normally flammable ceilings of luminaires fitted with lamp of maximum rating 1/35 W (including IRC). Luminaire must not be covered with thermal insulation.

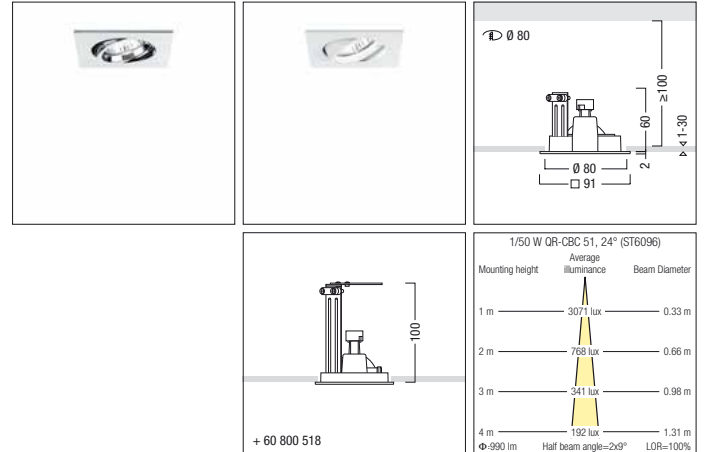
**Recessed ceiling luminaires for low voltage lamps**

	RD/RØ	kg	Order no.
1/50 W QR-CBC 51, brushed aluminium trim	100/80	0.1	60 812 144
1/50 W QR-CBC 51, chrome-effect trim	100/80	0.1	60 812 142
1/50 W QR-CBC 51, white trim	100/80	0.1	60 812 141

**Accessory**

Installation kit for normally flammable ceilings (max. 1/35 W QR-CBC 51)			60 800 518
--	--	--	------------

Please order transformer separately.





MICROS D95

RD/RØ kg Order no.

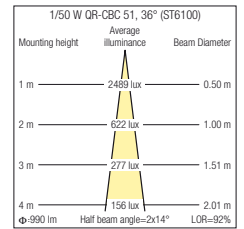


- Housing made of die-cast aluminium
- Reflector made of aluminium, post-anodised, with faceted structure
- With special heat sink to increase lamp lifetime
- Bayonet-ring fitting for quick lamp replacement
- With strain relief for cable
- Rated lamp voltage: 12 V
- The customer needs to provide a 2-pole terminal for the electrical supply to these luminaires with the following properties: 12 V, 6 A, for ferrule diameter  $\geq 1.5$  mm
- Tool-free installation using two fixing clips for ceilings of thickness 1–30 mm
- Luminaires can also be fitted with 1/50 W QR-CBC IRC 51 lamp

Recessed ceiling luminaires for low voltage lamps

1/50 W QR-CBC 51, aluminium trim in brushed finish	115/95	0.3	60 812 148
1/50 W QR-CBC 51, chrome-look trim	115/95	0.3	60 812 146
1/50 W QR-CBC 51, white trim	115/95	0.3	60 812 145

Please order transformer separately.



**MICROS**

**MICROS Q80**

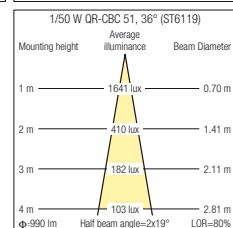


- Housing made of die-cast aluminium
- Low glare thanks to recessed lamp position
- Relamping without tools
- With strain relief for cable
- Rated lamp voltage: 12 V
- The customer needs to provide a 2-pole terminal for the electrical supply to these luminaires with the following properties: 12 V, 6 A, for ferrule diameter  $\geq 1.5$  mm
- Tool-free installation using two fixing clips for ceilings of thickness 1–22 mm
- Luminaires can also be fitted with 1/50 W QR-CBC IRC 51 lamp
- Please note: use decorative glass cover to achieve IP44 degree of protection in closed ceilings

**Recessed ceiling luminaires for low voltage lamps**

	RL/RW/RD	kg	Order no.
1/50 W QR-CBC 51, brushed aluminium trim	80/80/120	0.2	60 812 156
1/50 W QR-CBC 51, chrome-effect trim	80/80/120	0.2	60 812 154
1/50 W QR-CBC 51, white trim	80/80/120	0.2	60 812 153

Please order transformer separately.



**MICROS Q80 protective and decorative insert**



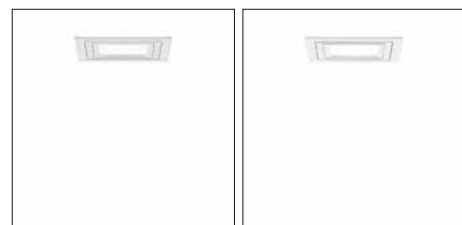
- Designed to achieve IP44 degree of protection with MICROS Q80 QR-CBC recessed luminaires in closed ceilings
- Clear or frosted glass insert, includes mounting frame
- No-tool installation
- Can only be used with lamps of power up to 35 W
- Please note: not suitable for MICROS LED

**IP44 attachment, clear**

Q80, aluminium trim in brushed finish	60 800 617
Q80, chrome-look trim	60 800 615
Q80, white trim	60 800 614

**IP44 decorative attachment, frosted**

Q80, aluminium trim in brushed finish	60 800 541
Q80, chrome-look trim	60 800 539
Q80, white trim	60 800 538

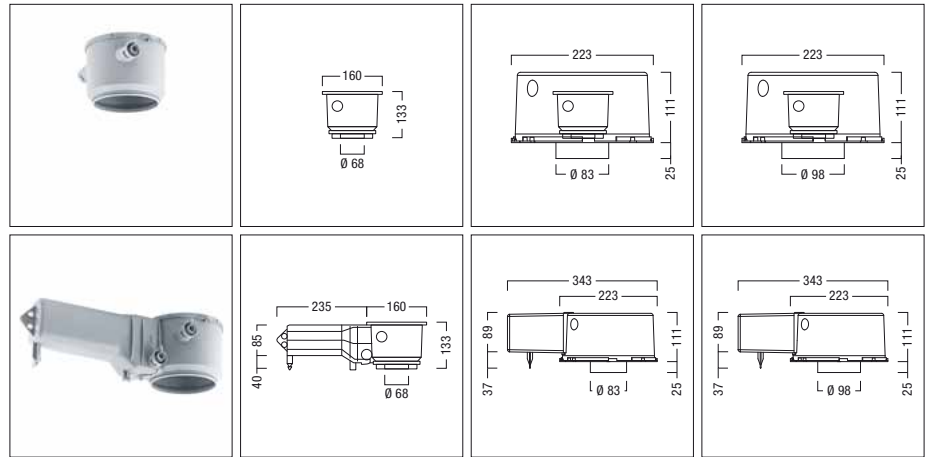


Order no.

- Concrete casting surround made of plastic, including and excluding space for control gear

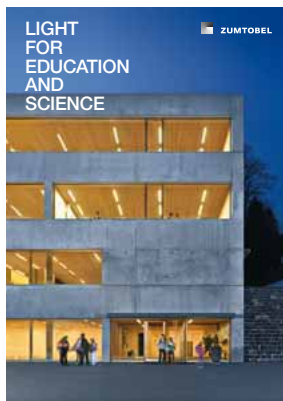
Concrete casting surround for	
MICROS D68/MICROS D70	60 800 599
MICROS D95	60 800 651
MICROS Q80	60 800 672

Concrete casting surround including space for control gear	
MICROS D68/MICROS D70	60 800 542
MICROS D95	60 800 652
MICROS Q80	60 800 673





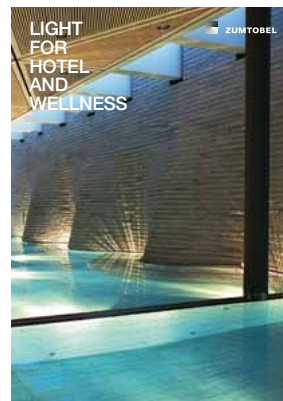
zumtobel.com/office



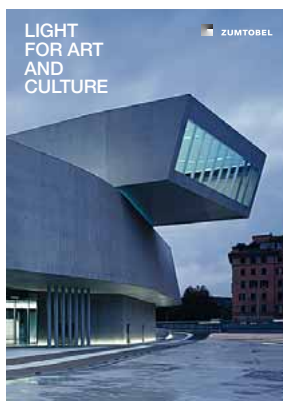
zumtobel.com/education



zumtobel.com/shop



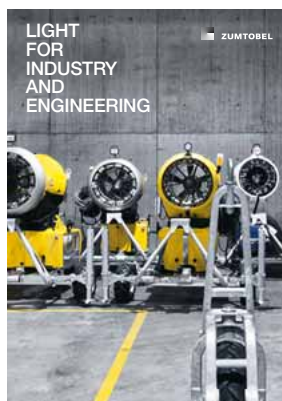
zumtobel.com/hotel



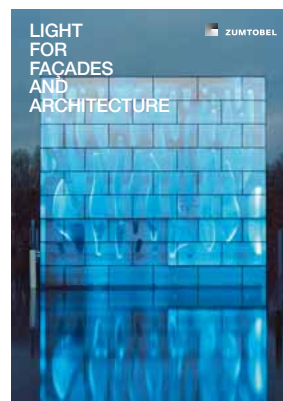
zumtobel.com/culture



zumtobel.com/healthcare



zumtobel.com/industry



zumtobel.com/facade

**Zumtobel is the internationally leading supplier of integral lighting solutions for professional interior and exterior lighting applications.**

- Offices and Communication
- Education and Science
- Presentation and Retail
- Hotel and Wellness
- Art and Culture
- Health and Care
- Industry and Engineering
- Façades and Architecture

We provide unique customer benefits by integrating technology, design, emotion and energy efficiency. Under the Humanergy Balance concept, we combine the best possible ergonomic lighting quality for an individual's well-being with the responsible use of energy resources. The company's own sales organisations in twenty countries, as well as commercial agencies in fifty other countries, form an international network of experts and design partners providing professional lighting consulting, design assistance and comprehensive services.

#### **Lighting and sustainability**

In line with our corporate philosophy "We want to use light to create worlds of experience, make work easier and improve communications and safety while remaining fully aware of our responsibility to the environment", Zumtobel offers energy-efficient high-quality products, while at the same time making sure that our production processes based on the considerate use of resources are environmentally compatible.

[zumtobel.com/sustainability](http://zumtobel.com/sustainability)



#### **Top quality – with a five-year guarantee.**

As a globally leading luminaire manufacturer, Zumtobel provides a five-year guarantee for its complete product range.

[zumtobel.com/guarantee](http://zumtobel.com/guarantee)

Order no. 04 946 140-EN 10/12 © Zumtobel Lighting GmbH

Technical data was correct at time of going to press.

We reserve the right to make technical changes without notice. Please contact your local sales office for further information. For the sake of the environment: Luxo Light is chlorine-free paper from sustainably managed forests and certified sources.



Track and spots



Modular lighting systems



Downlights



Recessed luminaires



Surface-mounted and pendant luminaires



Free-standing and wall-mounted luminaires



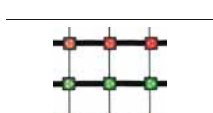
Continuous-row systems and individual batten luminaires



High-bay luminaires and floodlight reflector systems



Luminaires with extra protection



Facade, media and outdoor luminaires



Lighting management system



Emergency lighting



Medical supply systems

### United Kingdom

Zumtobel Lighting Ltd.  
Chiltern Park  
Chiltern Hill, Chalfont St. Peter  
Buckinghamshire SL9 9FG  
T +44/(0)1753 482 650  
F +44/(0)1753 480 350  
uksales@zumtobel.com  
zumtobel.co.uk

### USA and Canada

Zumtobel Lighting Inc.  
17-09 Zink Place, Unit 7  
Fair Lawn, NJ 07410  
3300 Route 9W  
Highland, NY 12528  
T +1/(0)845/691 6262  
F +1/(0)845/691 6289  
zli.us@zumtobel.com  
zumtobel.us

### Australia and New Zealand

Zumtobel Lighting Pty Ltd  
333 Pacific Highway  
North Sydney, NSW 2060  
T +61/(2)8913 5000  
F +61/(2)8913 5001  
info@zumtobel.com.au  
zumtobel.com.au

### China

Zumtobel Lighting China  
Shanghai office  
Room 101,  
No 192 YIHONG Technology Park  
Tianlin Road, Xuhui District  
Shanghai City, 200233, P.R. China  
T +86/(21) 6375 6262  
F +86/(21) 6375 6285  
sales.cn@zumtobel.com  
zumtobel.cn

### Hong Kong

Zumtobel Lighting Hong Kong  
Unit 4319-20, Level 43,  
Tower 1, Metroplaza,  
223 Hing Fong Road,  
Kwai Fong, N.T.  
T +852/(0)2503 0466  
F +852/(0)2503 0177  
info.hk@zumtobel.com

### India

Zumtobel Lighting GmbH  
A 274, 1st Floor,  
Defence Colony,  
110024 New Delhi  
T +91/98 102 19 531  
enquiries.india@zumtobel.com

### Singapore

Zumtobel Lighting Southeast Asia  
5 Kaki Bukit Crescent,  
#04-02 Koyotech Building  
416238 Singapore  
T +65 6844 5800  
F +65 6745 7707  
info.sg@zumtobel.com

### United Arab Emirates

Zumtobel Lighting GmbH (Branch)  
Dubai Airport Free Zone,  
Building 6W, B Block, 233  
PO Box 54302  
Dubai  
T +971/(0)4 299 3530  
F +971/(0)4 299 3531  
info@zumtobeluae.ae

### Romania

Zumtobel Lighting Romania SRL  
Tipografilor 11-15,  
S-Park Office, Wing A1-A2  
013714 Bucharest  
T +40 312253801  
F +40 312253804  
welcome.ro@zumtobel.com  
zumtobel.com

### Hungary

Zumtobel Lighting Kft  
Váci út 49  
1134 Budapest  
T +36/(1) 35 00 828  
F +36/(1) 35 00 829  
welcome@zumtobel.hu  
zumtobel.hu

### Croatia, Bosnia and Herzegovina

Zumtobel Licht d.o.o.  
Radnička cesta 80 – Zagrebtower  
10000 Zagreb  
T +385/(1) 64 04 080  
F +385/(1) 64 04 090  
welcome@zumtobel.hr  
welcome.ba@zumtobel.com

### Serbia

Zumtobel Licht d.o.o.  
Karadjordjeva 2-4  
Beton Hala  
11000 Belgrade  
T +381/(0)11 65 57 657  
F +381/(0)11 65 57 658  
welcome@zumtobel.rs

### Czech Republic and Slovak Republic

Zumtobel Lighting s.r.o.  
Jankovcova 2  
Praha 7  
170 00 Praha  
T +420/(2) 66 782 200  
F +420/(2) 66 782 201  
welcome@zumtobel.cz  
zumtobel.cz

### Poland

Zumtobel Licht GmbH Sp.z.o.o.  
Platinum III  
ul. Wołoska 9a  
02-583 Warszawa  
T +48/(22) 856 74 31  
F +48/(22) 856 74 32  
welcome@zumtobel.pl  
zumtobel.pl

### Slovenia

Zumtobel Licht d.o.o.  
Štukljeva cesta 46  
1000 Ljubljana  
T +386/(1) 5609 820  
F +386/(1) 5609 866  
welcome@zumtobel.si  
zumtobel.si

### Russia

Zumtobel Lighting GmbH  
Official Representative Office  
Skakovaya Str. 17  
Bld. No 1, Office 1104  
125040 Moscow  
T +7/(495) 945 36 33  
F +7/(495) 945 16 94  
info-russia@zumtobel.com  
zumtobel.ru

### Norway

Zumtobel Belysning  
Hoffsveien 4  
Postboks 1025 Hoff  
0218 Oslo  
T +47 22 06 50 50  
F +47 22 06 50 52  
firmapost@zumtobel.com  
zumtobel.no

### Sweden

Zumtobel Belysning  
Birger Jarlsgatan 57  
113 56 Stockholm  
T +46 8 26 26 50  
F +46 8 26 56 05  
info.se@zumtobel.com  
zumtobel.se

### Denmark

Light Makers AS  
Indiavej 1  
2100 København/Copenhagen  
T +45 35 43 70 00  
F +45 35 43 54 54  
lm.sales@lightmakers.dk  
lightmakers.dk

### Headquarters

Zumtobel Lighting GmbH  
Schweizer Strasse 30  
Postfach 72  
6851 Dornbirn, AUSTRIA  
T +43/(0)5572/390-0  
F +43/(0)5572/22 826  
info@zumtobel.info

Zumtobel Licht GmbH  
Grevensmarschstrasse 74-78  
32657 Lemgo, GERMANY  
T +49/(0)5261 212-0  
F +49/(0)5261 212-7777  
info@zumtobel.de

### zumtobel.com

## **MICROS**

The little helpers  
in everyday life.

